

Acu-Rite Companies Inc.

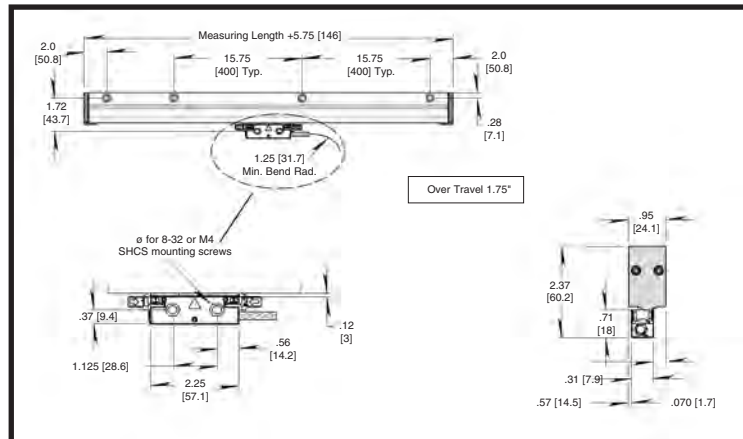


An **SENC 125** precision glass scale withstands the elements of contamination found in even the harshest environment. All **Acu-Rite Companies Inc.** precision glass scales incorporate our long-standing tradition of quality, reliability, durability and dependability at an affordable price. The all new **SENC 125** precision glass scale is designed to satisfy a wide range of application needs and is available in top (**T**) and end (**E**) mount scale configurations.

Precision Glass Scale SENC 125 T/E

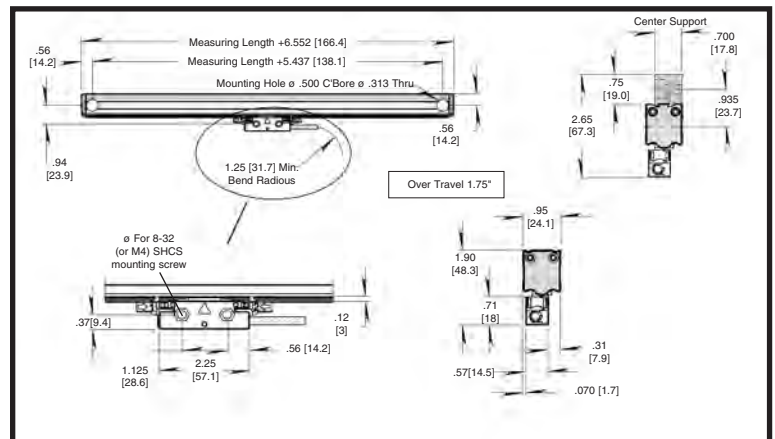
Features

- Resolution: .0002 (5µm)
- Travel lengths from 2 (.05m) - 120 (3.04m).
- Braided cable.
- Flexible mounting features.
- 3 Year HASSLE-FREE Warranty.



Top Mount

End Mount

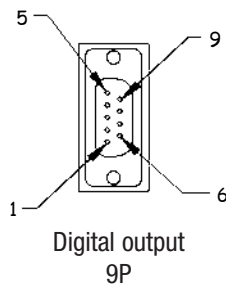


SENC 125 T/E assembly and mounting dimensions

Electrical Specifications

Electrical Specifications	Digital
Light Source	LED (light-emitting diode)
Operating voltage (VDC)	5.1 ± 0.1
Operating current (Max. mA)	100
Output signals Incremental	Square-wave voltage signals channels A and B, in 90° quadrature relationship
RM Signal Levels	One square-wave signal TTL-level
RM	TTL-level

Options



Mechanical Specifications

Mechanical Specifications	Digital
Resolution (µm)	5
Grating pitch (µm)	20
Scale medium	Reflective from nickel-coated glass
Accuracy (@ 20° C) in any 1000mm	± 10µm/m
Max. slew speed (in/sec)	30
Force required to move reading head (lbs.)	≤ 0.75
Operating Environment Temperature	0° to 40° C
Relative Humidity	20% to 95% (non-condensing)
Storage Environment Temperature	-20° to 65° C
Humidity	20% to 95% (non-condensing)
Weight (lbs)	1.4 + 0.05/in of measuring length
Connecting cable	Measuring Length < 42" = 13 ft. Measuring Length > 42" = 19 ft.
Max. cable length (ft)	35
Measuring lengths (in)	2 - 120 (T) 2 - 60 (E)
Reference mark interval	50mm fixed
Protection (IEC 529)	IP53 when installed as per instructions

Digital pin-outs and output signals

Pin	Signal	Wire color
1	No Connect	
2	Channel A+	Green
3	No Connect	
4	Channel B+	Blue
5	No Connect	
6	Ground (power supply and signal return)	White
7	Supply Voltage	Brown
8	Channel R+ (+Reference Mark)	Pink
9	No Connect	
Shell	Shield	

