

SCALES PRODUCT NOTICE

ACU-RITE®

Acu-Rite Companies Inc.

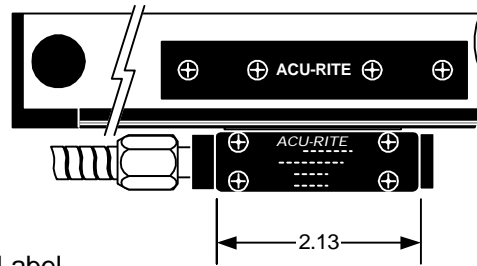
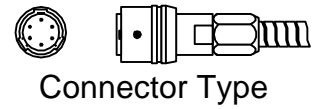
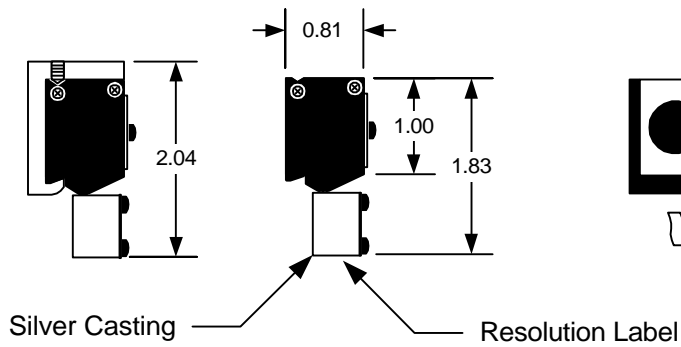
1/12/04

As Acu-Rite Companies Inc. and our product line continues to grow providing you new products competitive in both price and features, the number of previous designs has grown to a point where many of you have asked for a visual reference to assist identifying a scale. To comply with your needs, a handy reference chart is included with this letter. Use it freely to assist yourself and your customers. The graphic nature of the scale identification sheets is both copier and fax friendly, allowing you to reproduce it and transmit it as needed.

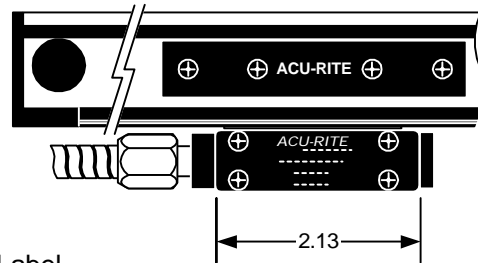
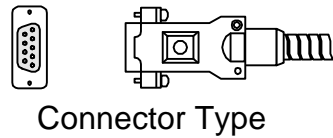
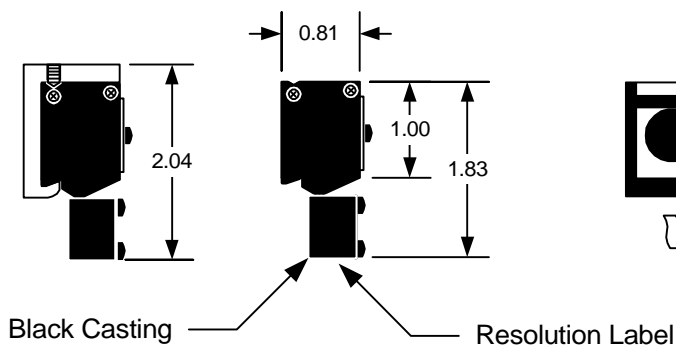
Feel free to give a copy to your service techs, for use in the field and fax to a customer needing of a replacement scale, reading head or other scale part. Keep a copy with your Readout Product Pricing Information Catalog (P.N.9951-0190), and your Readout System Repair Parts Pricing Information Catalog (P.N.9951-0129) for reference.

If you have any questions or comments please feel free to call Chris Hanson at (800) 344-2311 ext. 1722. I am always glad to assist.

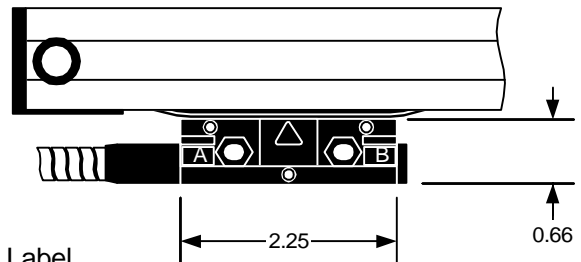
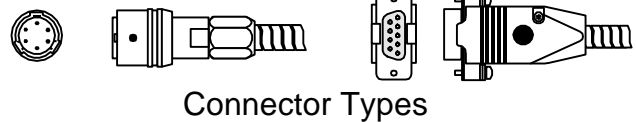
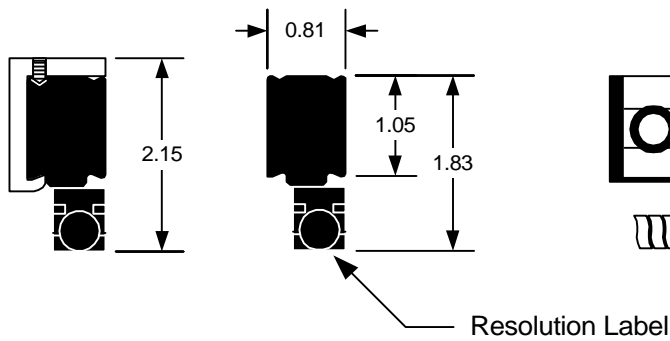
MiniScale Mfg. 1979 to 1997



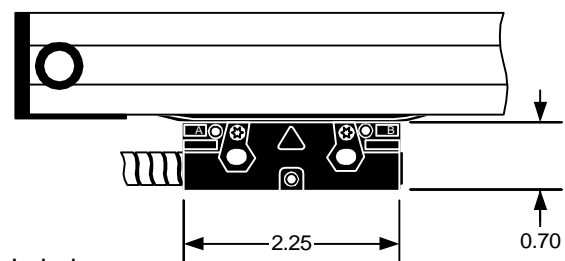
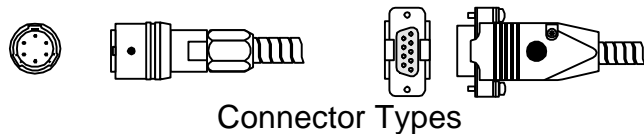
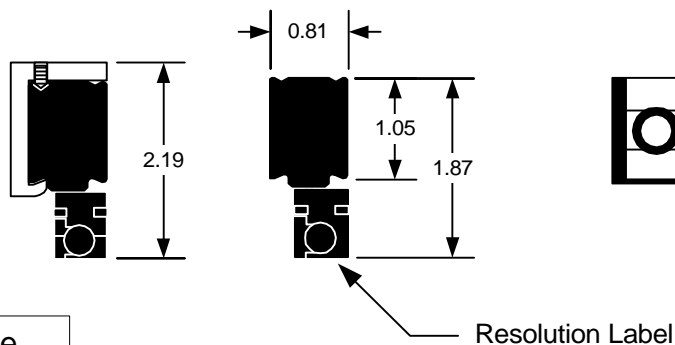
Mate Scale Mfg. 1979 to 1997



ENC150 (OLD STYLE READING HEAD) Mfg. 1997 to 2002



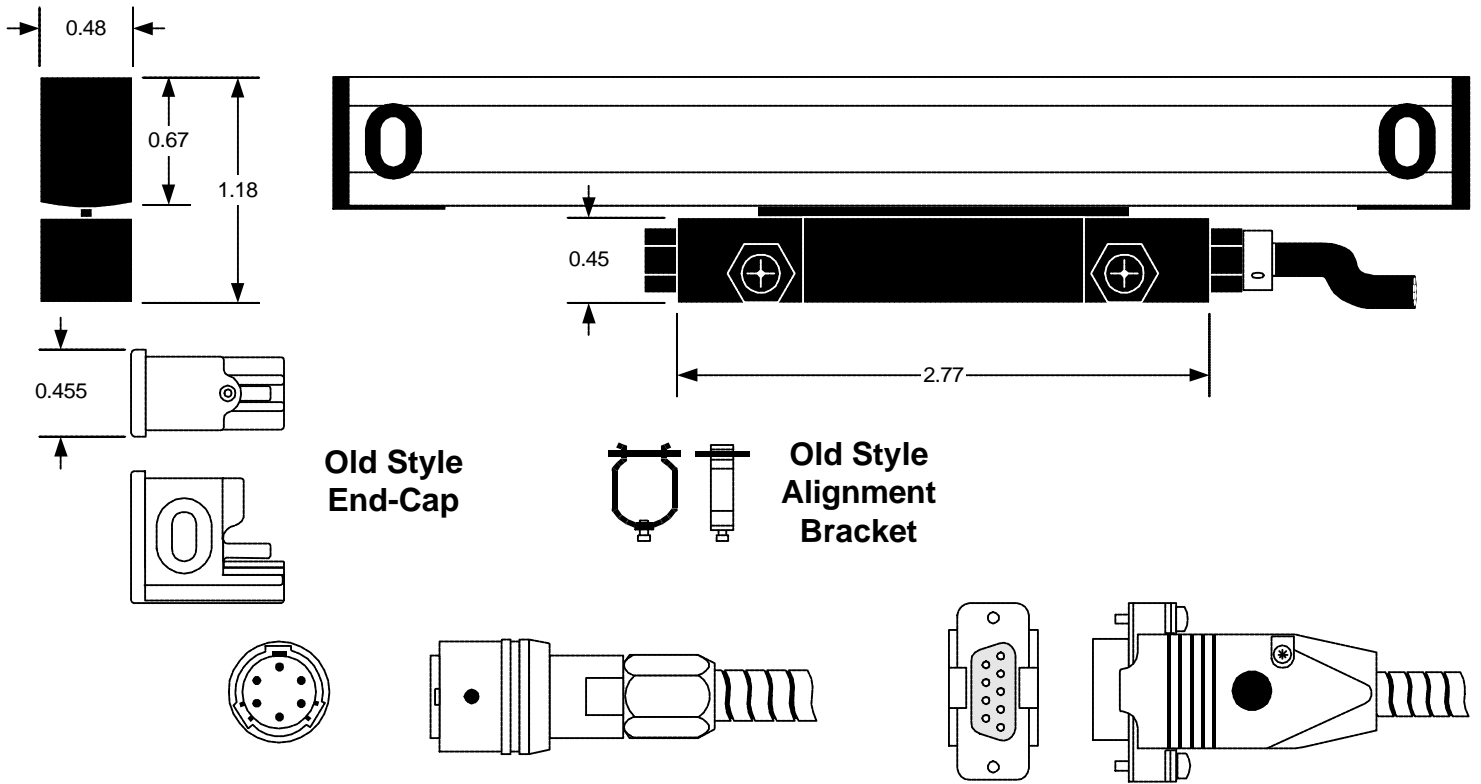
ENC150 (NEW STYLE READING HEAD) Mfg. 2002 to Present



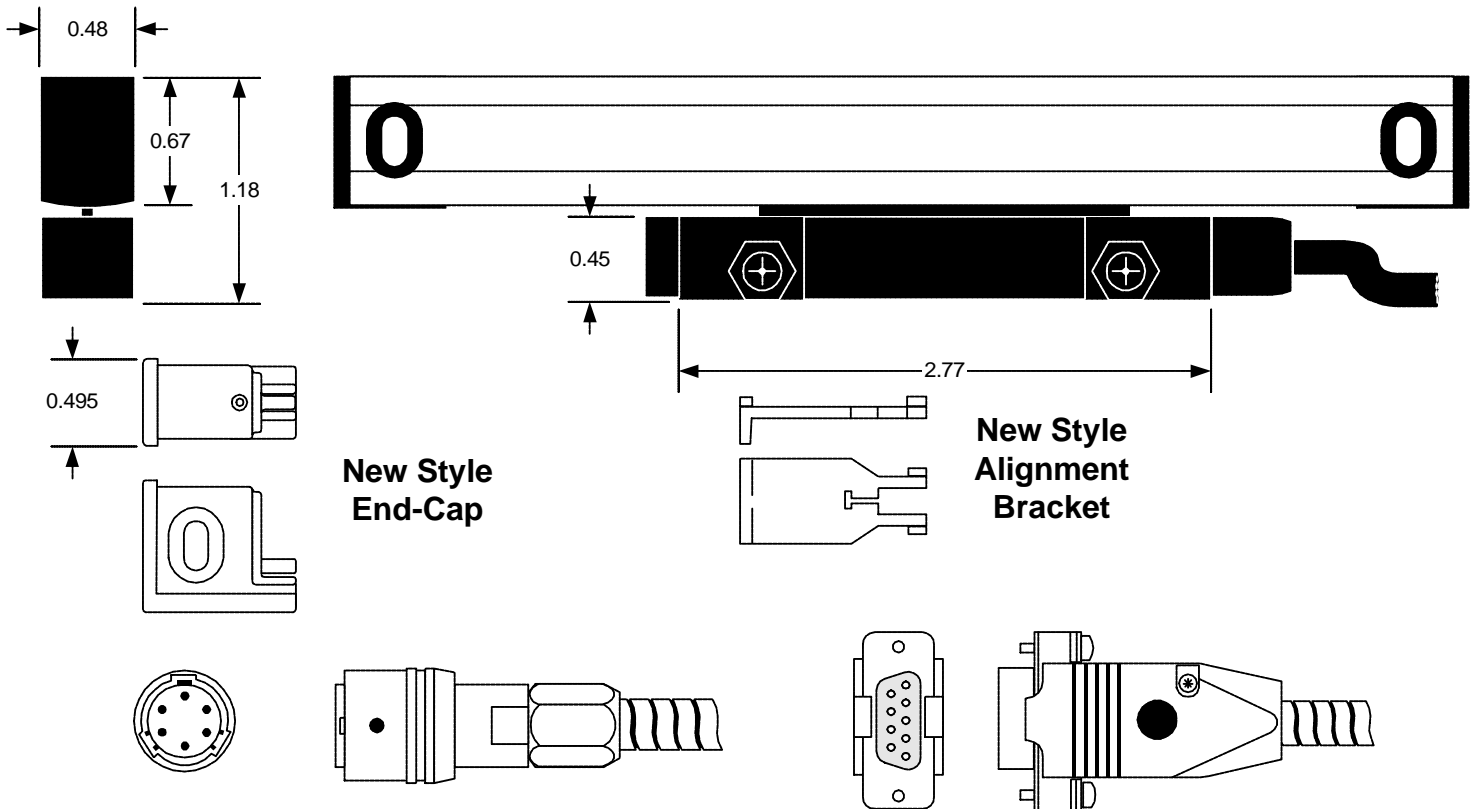
1/2 Scale

MicroScale (OLD STYLE READING HEAD) Mfg. 1997 to 2003

Note: New style reading heads can be used on old Style MicroScales



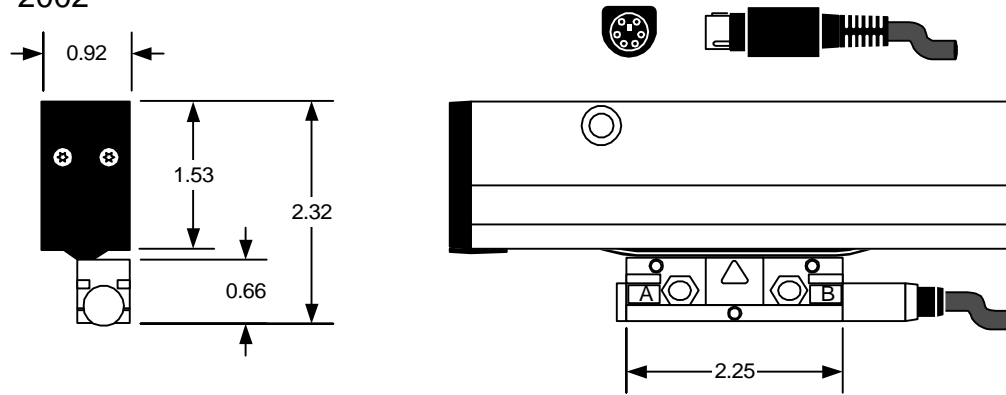
MicroScale (NEW STYLE READING HEAD) Mfg. 2003 to Present



Full Scale

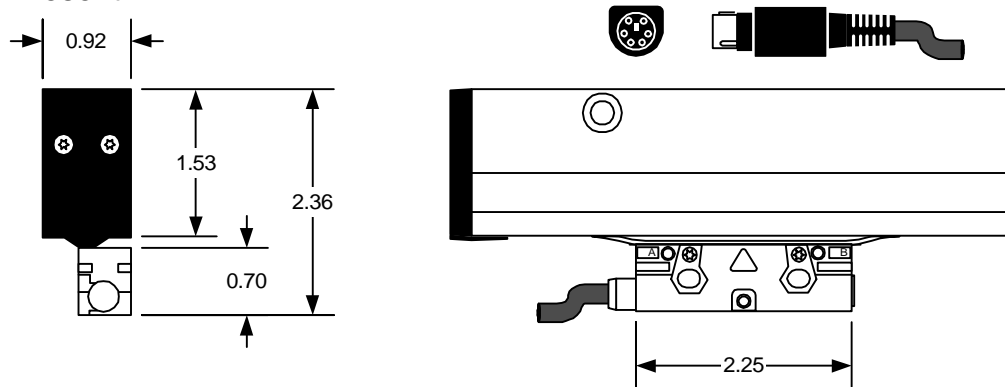
MicroLine Scale (Top Mount) (OLD STYLE READING HEAD)

Mfg. 2000 to 2002



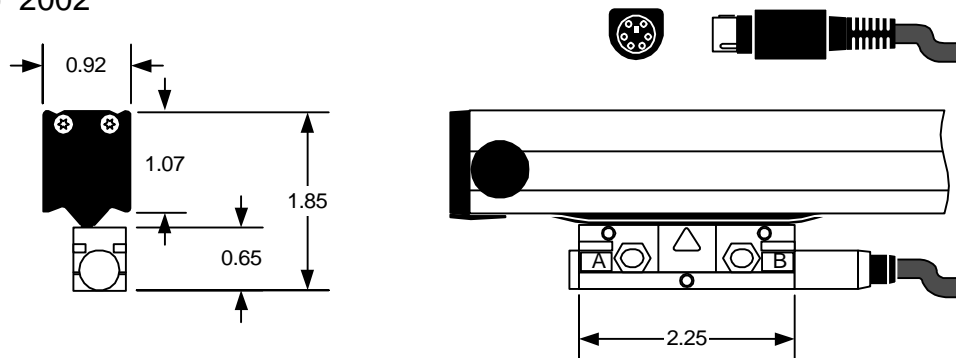
MicroLine Scale (Top Mount) (NEW STYLE READING HEAD)

Mfg. 2002 to Present



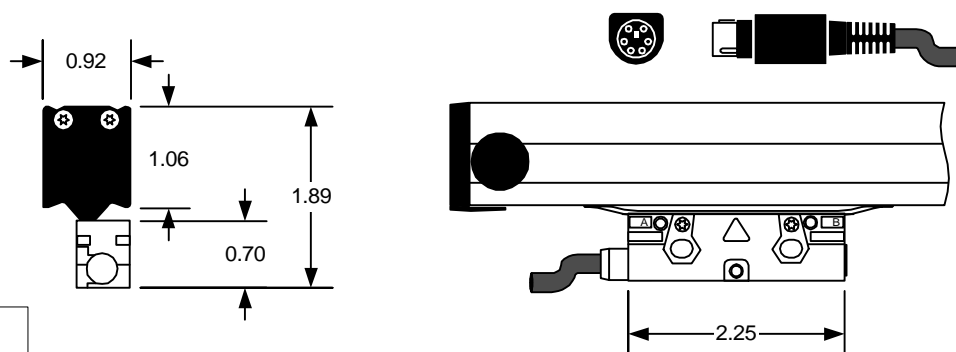
MicroLine Scale (End Mount) (OLD STYLE READING HEAD)

Mfg. 2000 to 2002



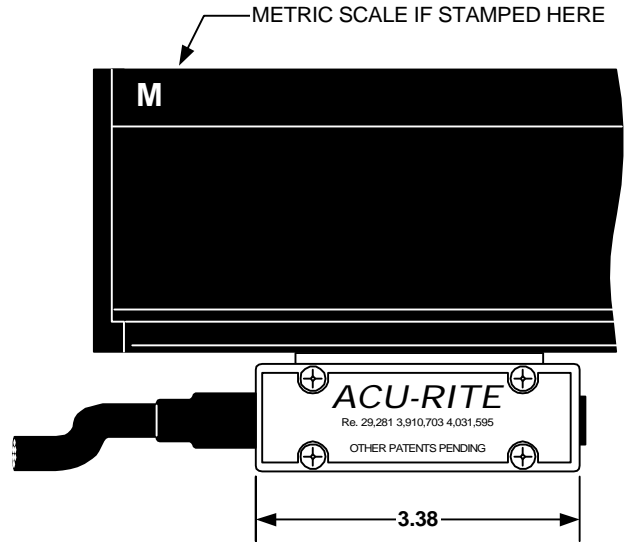
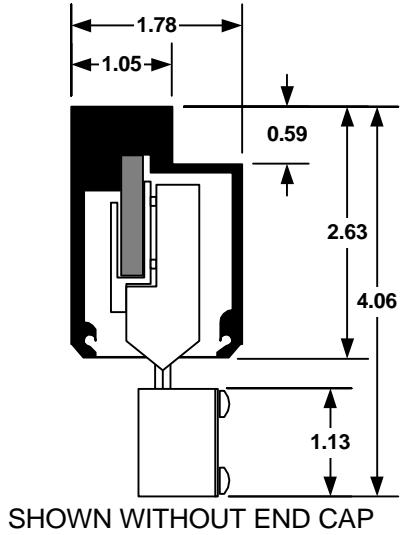
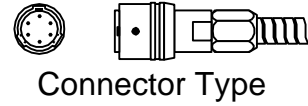
MicroLine Scale (End Mount) (NEW STYLE READING HEAD)

Mfg. 2002 to Present

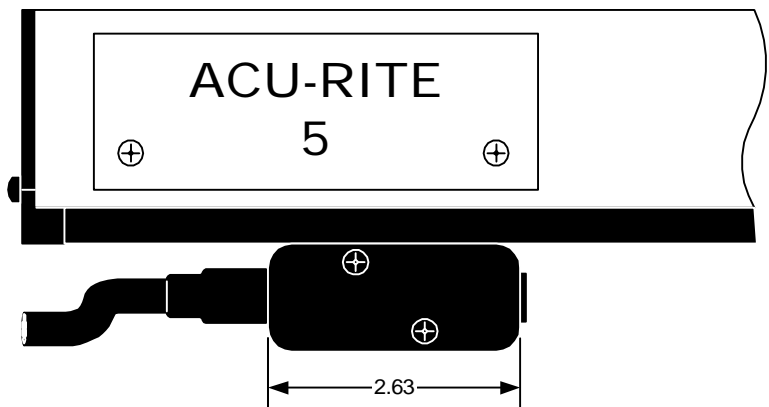
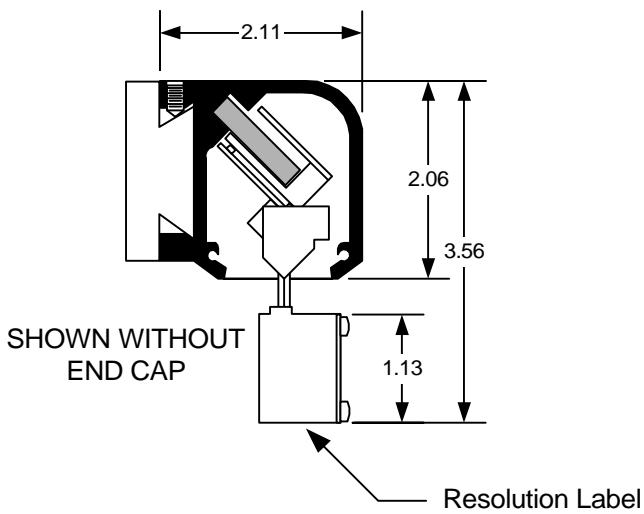
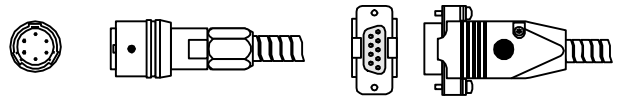


1/2 Scale

AR-1 SCALE Mfg. 1971 to 1987

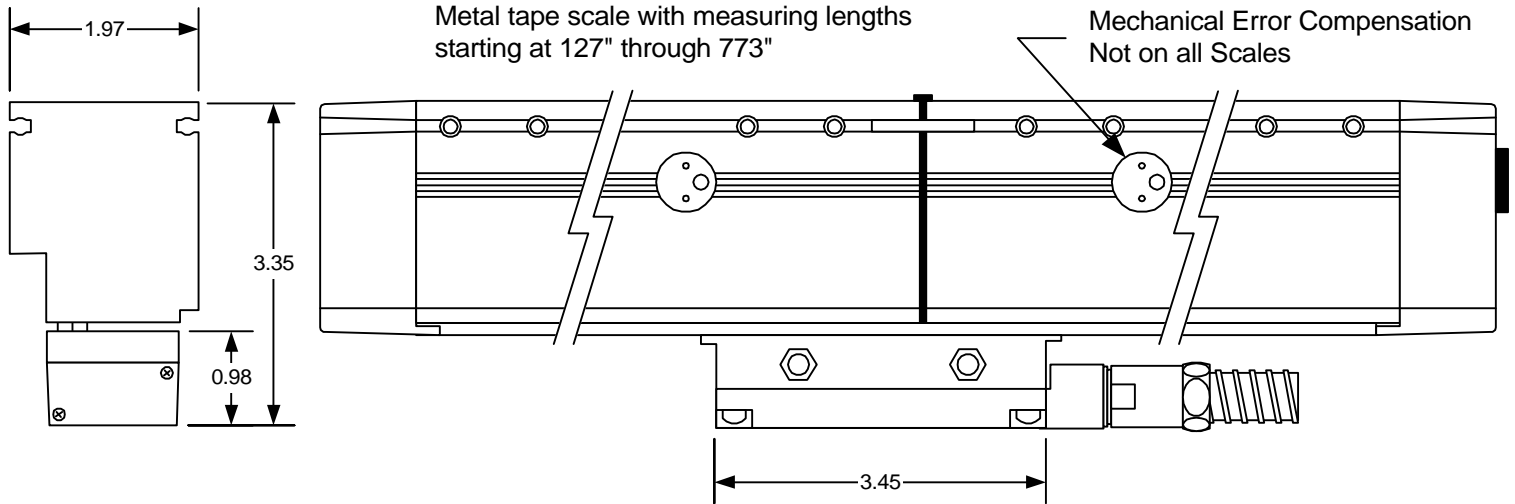


AR-5 SCALE Mfg. 1973 to 2003

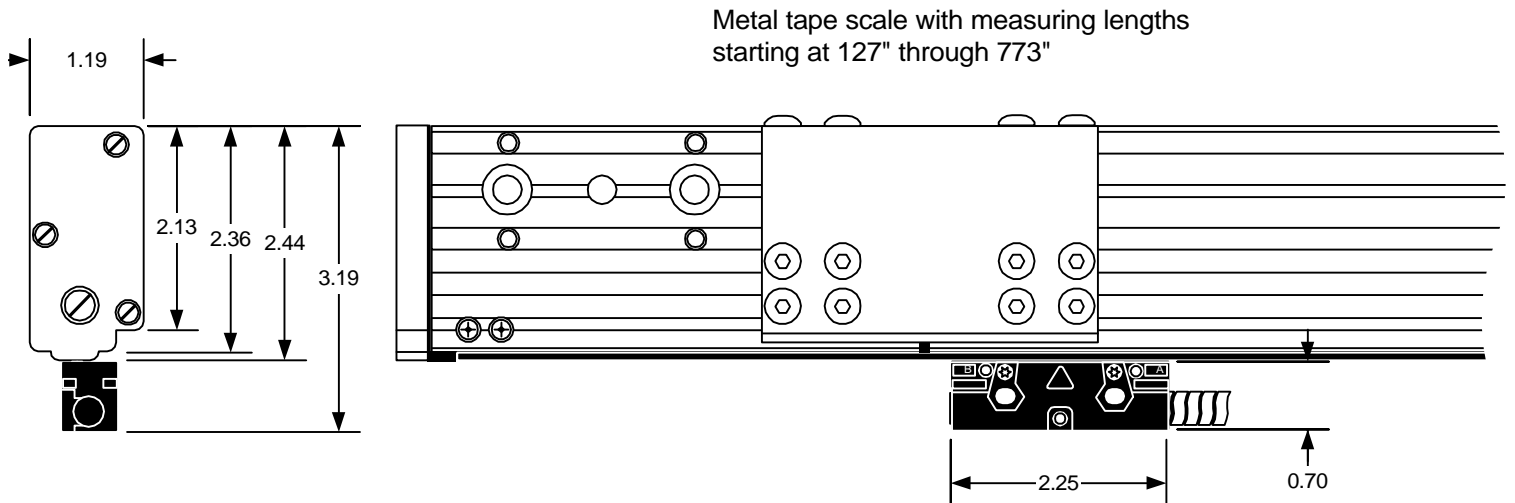


1/2 Scale

AR-10 Plus Mfg. 1987 to Present



ENC250 Mfg. 2000 to Present



1/2 Scale